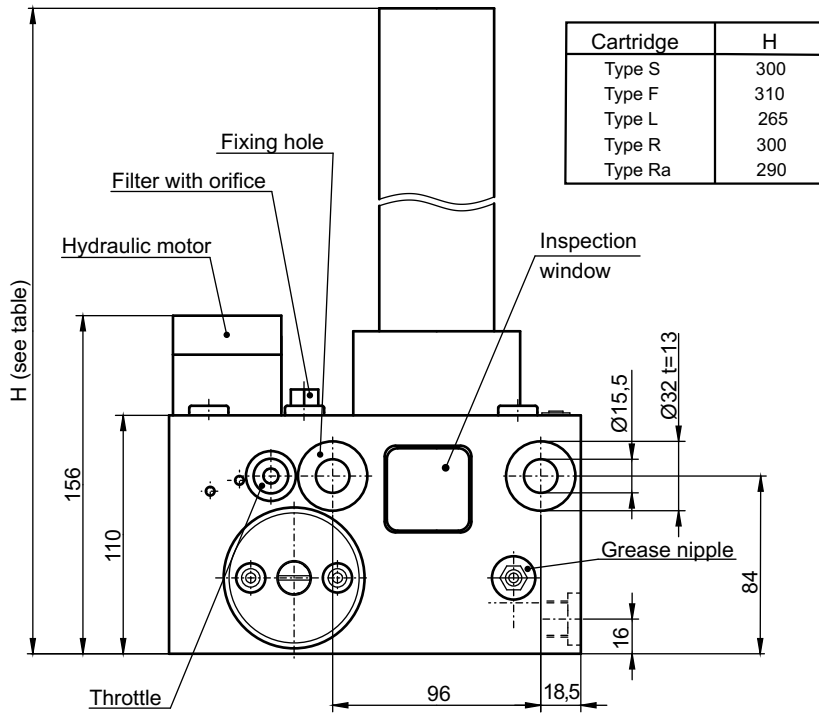
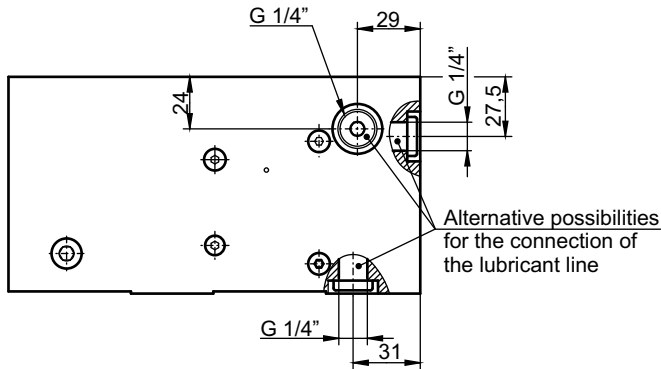
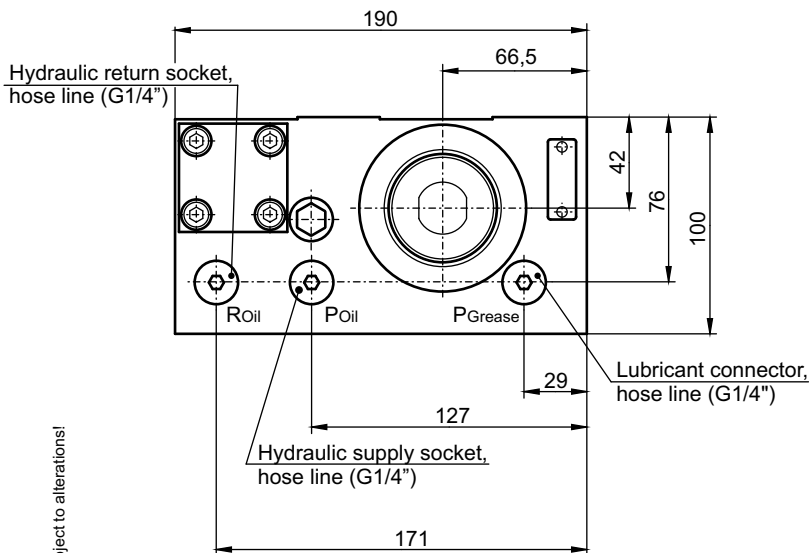
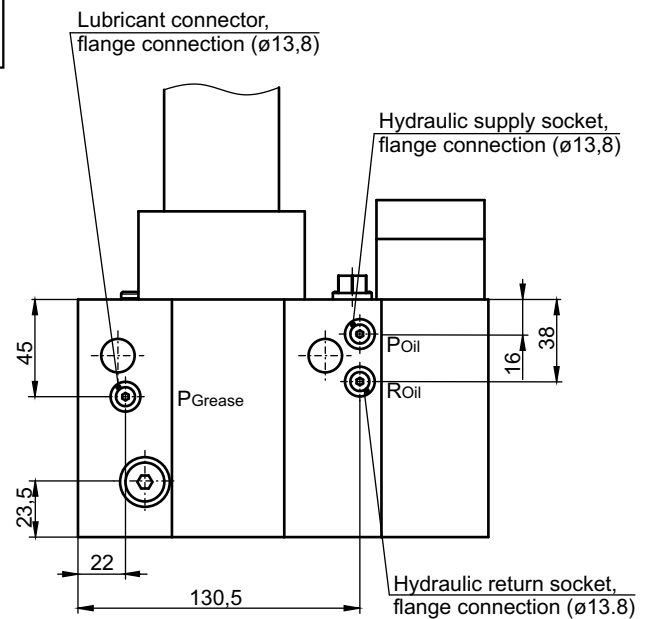




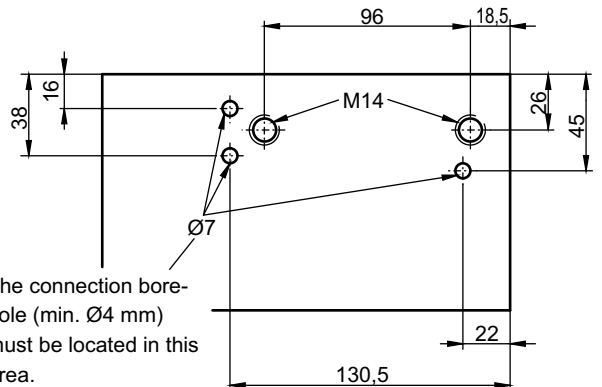
**BEKA HAMAX System 2, installation dimensions for model connection M14**



**Revers:**

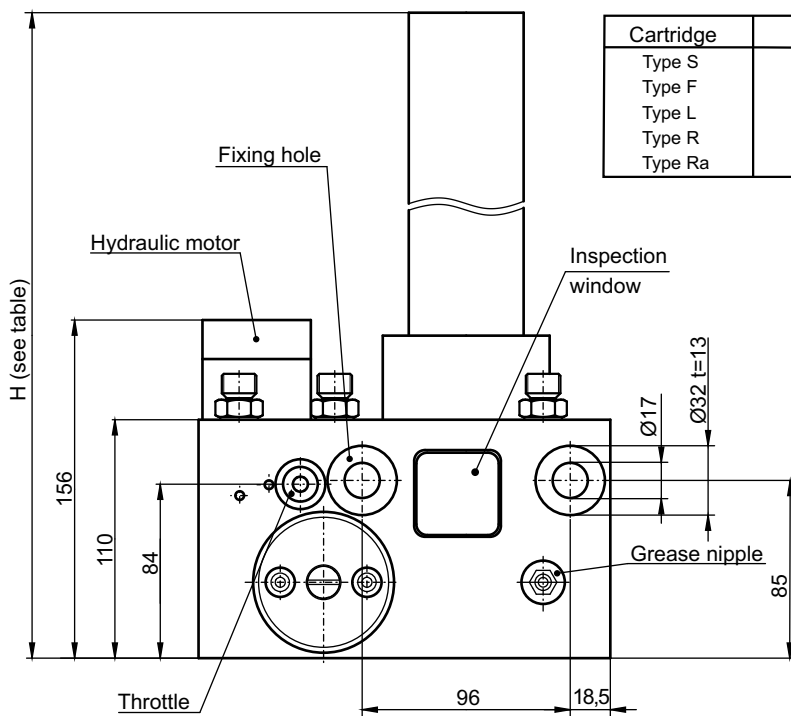
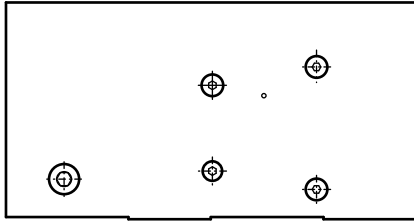


**Drilling pattern for performing the flange connection:**

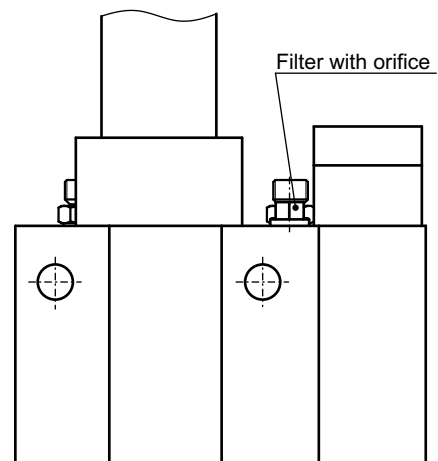


Subject to alterations!

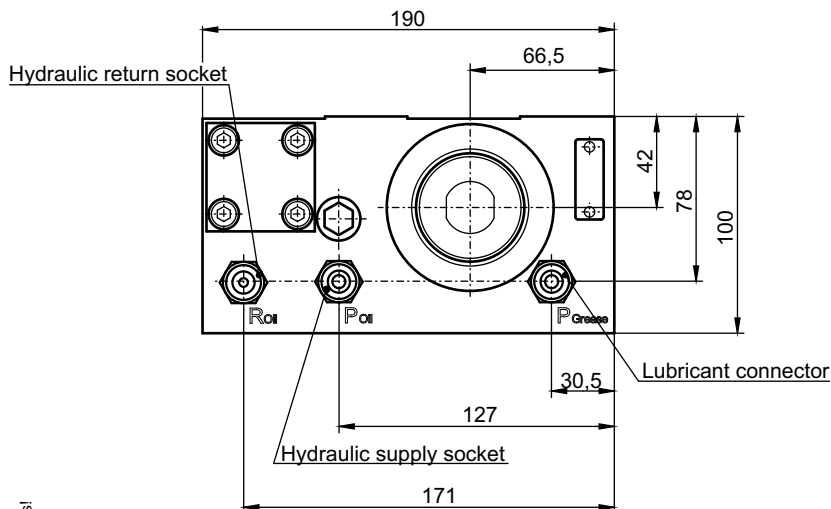
**BEKA HAMAX System 2, installation dimensions for model connection M16**



Cartridge	H
Type S	300
Type F	310
Type L	265
Type R	300
Type Ra	290



Revers:



Subject to alterations!

## Assembly and operation

The pump is fixed to the attachment by means of two securing bolts which are prevented from being loosened by specific lock washers.

Depending on the design, minor assembly works on the pump are required prior to first operation at the model connection M14:

- When performing the hose connection, the enclosed screw couplings must be mounted. To be able to use one of the other outlets, the plug screw with copper sealing ring located on this outlet must be replaced by the inlet screw coupling. Subsequently the grease pump's supply and return lines must be connected to the carrier's hydraulic system with a bypass line. G 1/4" screw couplings are required for the connection of the oil and lubricant lines.
- When performing the flange connection, the G1/4" threads must be closed by the enclosed plug screws and sealing rings. The enclosed o-rings are used to seal the flange connections.

At the model connection M16 the couplings are already mounted at the pump. Only the grease pump's supply and return lines must be connected to the carrier's hydraulic system with a bypass line.

The pump's supply connector comprises a filter and a orifice to limit the supply flow.

The return socket may be subject to a max. back pressure of 20 bar. This value should not be exceeded, as otherwise the pump can't work optimally.

For manual greasing in case of failure of the hydraulic system, a grease nipple has been integrated.

## Technical data:

### Hydraulic motor:

Supply:	Hydraulic hammer circuit, 90-250 bar
Difference pressure in operation:	min. 70 bar
Admissible return pressure:	max. 20 bar
Displacement:	max. 2 l/min
Default speed	
of the eccentric	14 rpm
with oil ISO VG 46 at 20° C	at 1,8 l/min.
Hydraulic oil:	ISO VG 46-100
Temperature range:	0°C up to +70°C
Speed can be adjusted with throttle	

### Pumping element:

Pressure limiting valve:	280 bar
Delivery rate/ stroke PE120FH	0,12 cm <sup>3</sup>
Default stroke number:	14 strokes/min.
Stroke number can be adjusted with throttle	

### General:

Weight:	approx. 6,7 kg
Grease supply:	cartridge
Type of cartridge:	suitable to cartridge adapter
Lubricant:	EP-grease without solid contents or chisel pastes up to NLGI class 2

The following chisel pastes are permitted for the use with this grease pump. Additionally please also observe the regulations of the machine manufacturer.

EUROL chisel paste -

EUROL Mineralöl Handelsges. m. b. H.

NILS chisel paste

Nils Italia S. r. L.

Fuchs Lubritech chisel paste

Fuchs Lubritech GmbH

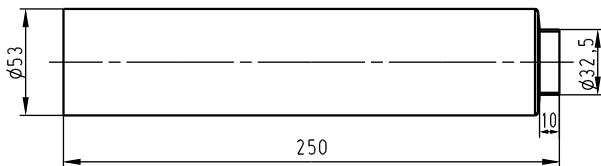
BERULUB HTM paste

Carl Bechem GmbH

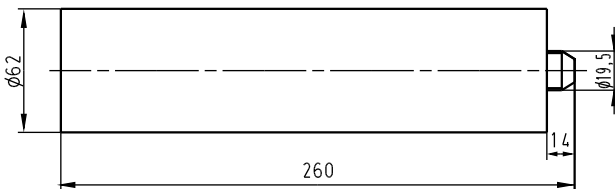
## Cartridge system

The grease pump BEKA HAMAX System 2 features an adapter system which enables the use of different cartridge types.

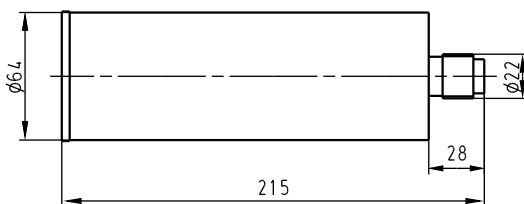
Type S - BEKA standard:



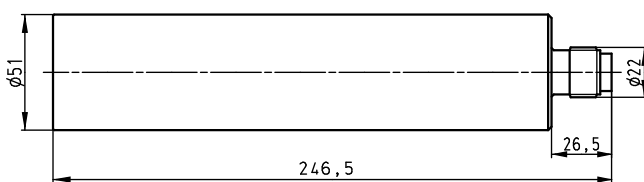
Type F:



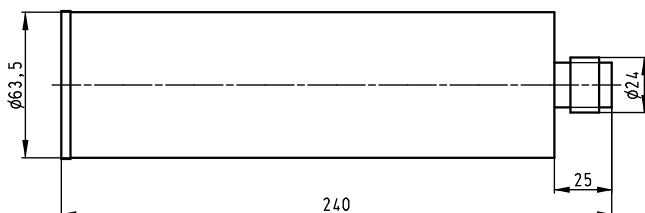
Type L:



Type R:



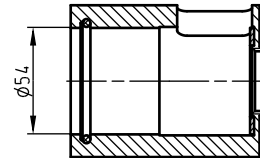
Type Ra:



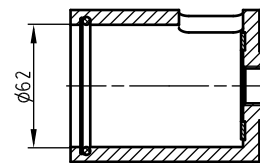
Subject to alterations!

## Cartridge adapter

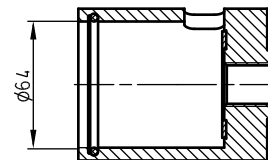
Adapter 2576GK0001 - for cartridge type S:



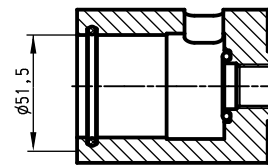
Adapter 2576GK0002 - for cartridge type F:



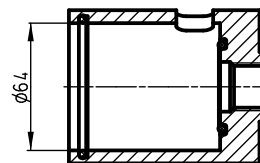
Adapter 2576GK0003 - for cartridge type L:



Adapter 2576GK0004 - for cartridge type R:



Adapter 2576GK0008 - for cartridge type Ra:



Adapter and cartridge ref-No.:

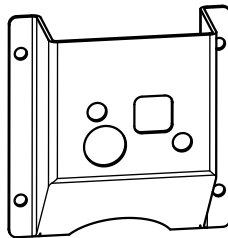
Type	Grease qty.	Fluid	Cartridge	Adapter
S	400g	EP2 - Gr.	0320092	2576GK0001
		Cu-Paste	0320091	
F	500g	EP2 - Gr.	0320089	2576GK0002
		Cu-Paste	0320090	
L	--	--	--	2576GK0003
R	--	--	--	2576GK0004
Ra	--	--	--	2576GK0008

## Accessories

To protect the pump, you can order different protective housings. The pump can still be filled via the integrated bore-holes, and the level can be checked via inspection windows. Moreover, the throttle valve regulating the delivery flow is still accessible.

### Protection housing for pumps connection M14

Version 1 -  
4 additional drillings (M14) are necessary

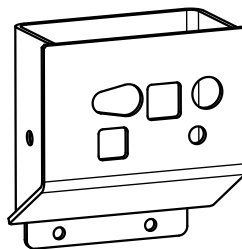


order no.

Pump cover incl. fasteners:  
Pump cover without fasteners:

25760002  
0800801461

Version 2 -  
2 additional drillings (M12) are necessary

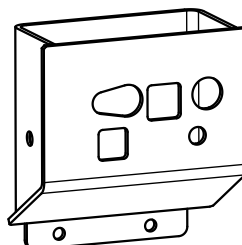


Pump cover without fasteners:

0800801654

### Protection housing for pumps connection M16

2 additional drillings (M12) are necessary



Pump cover without fasteners:

0800802261

Subject to alterations!

